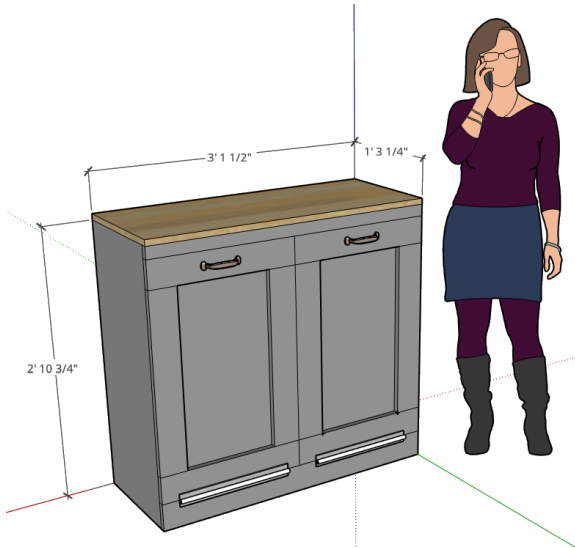


How to Build a Garbage Holder



These instructions are for a 35.5" garbage and recycling holder.

Material List:

- 4 – 1x4x8
- 1 – 1x2x4
- 1 – 4x8 MDF
- 1 5/8" deck screws
- 2 – 12" Piano Hinges
- 2 – Knobs or Handles
- 2 – 15"x26" scrap or hardboard of 1/4" plywood

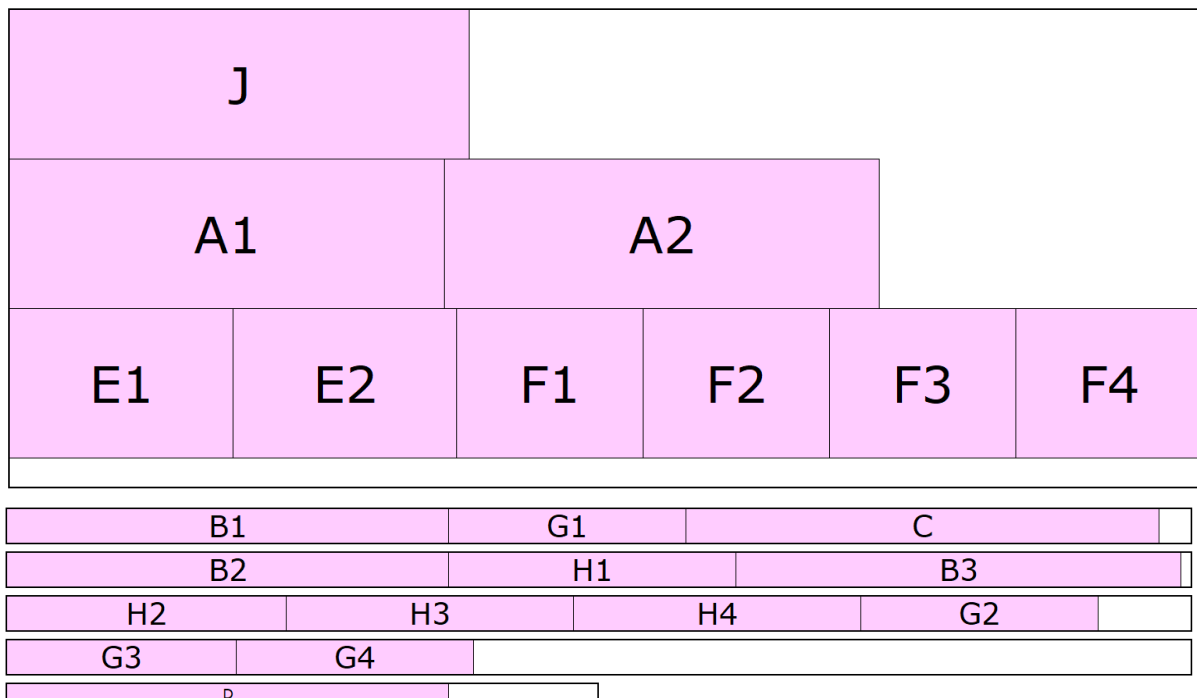
Tools List:

- Drill
- Saw (Miter & Circular preferred but possible with just a circular)
- Kreg Jig
- Pencil

Step I: Cut the Lumber

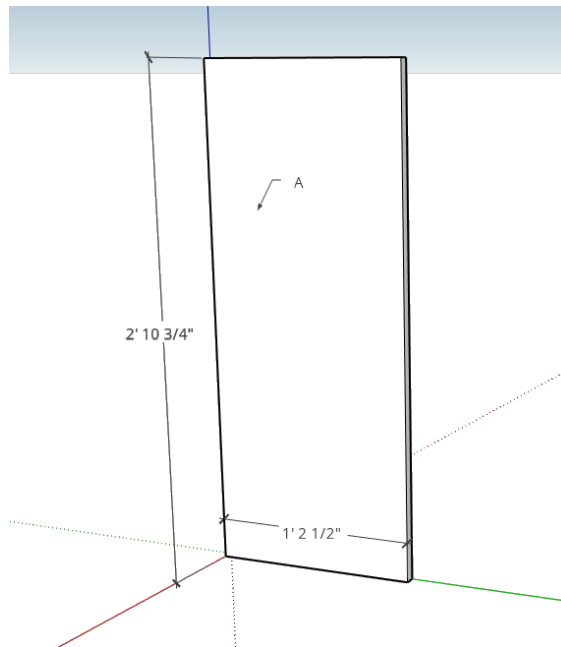
Cut your lumber to size using the following cut list:

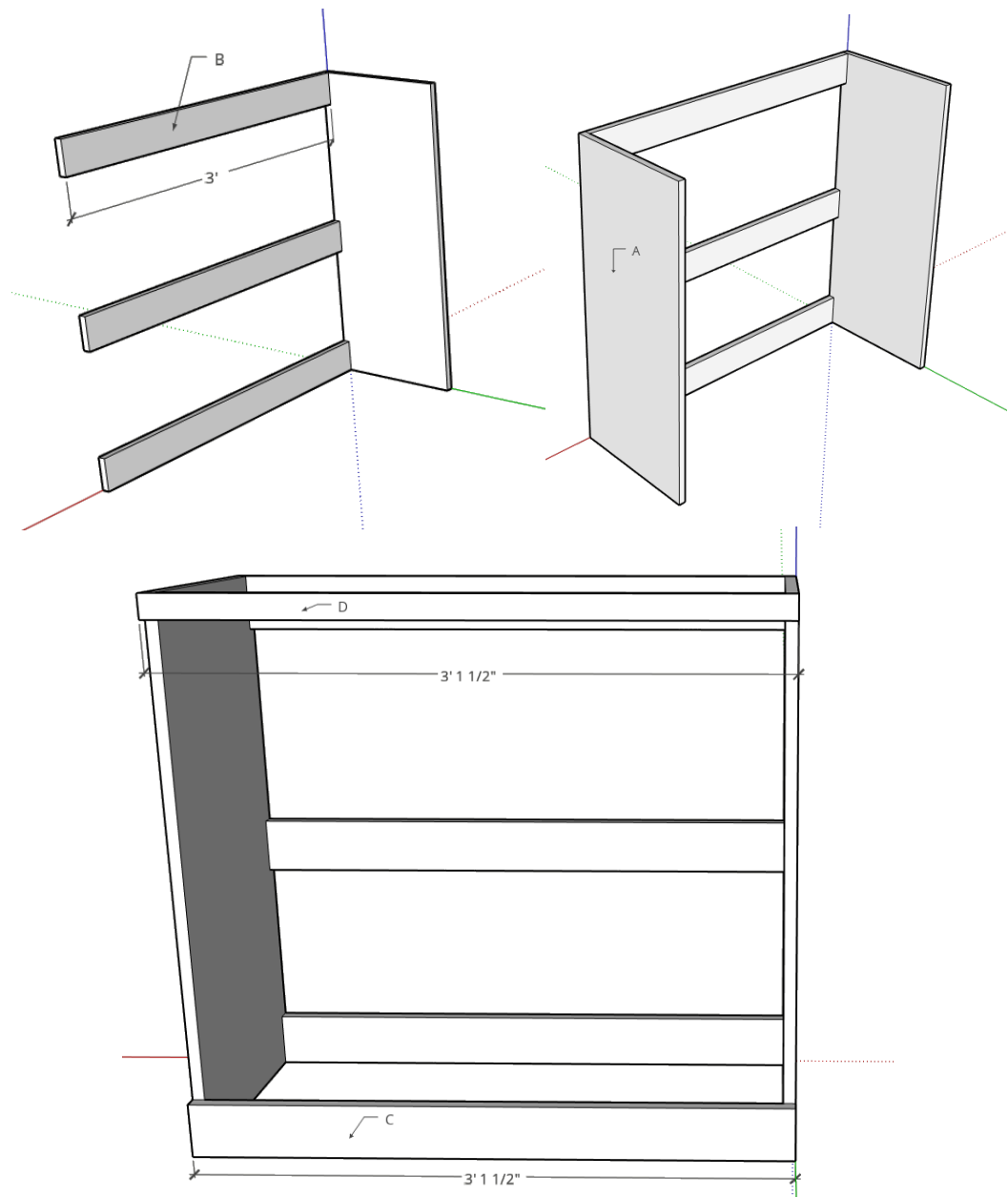
Piece	Material	Width	Length	Thickness	Quantity
A (Sides)	Sheet	14.5	34.75	0.75	2
B (back support)	Board	3.5	36	0.75	3
C (bottom trim)	Board	3.5	37.5	0.75	1
D (top trim)	Board	1.5	37.5	0.75	1
E (garbage base)	Sheet	14.5	18	0.75	2
F (garbage sides)	Sheet	14.5	14.5	0.75	4
G (top door trim)	Board	3.5	18.75	0.75	4
H (side door trim)	Board	3.5	22.75	0.75	4
I (door panel)	Sheet	15	26	0.25	2
J (top)	Sheet	37.5	15.25	0.75	1

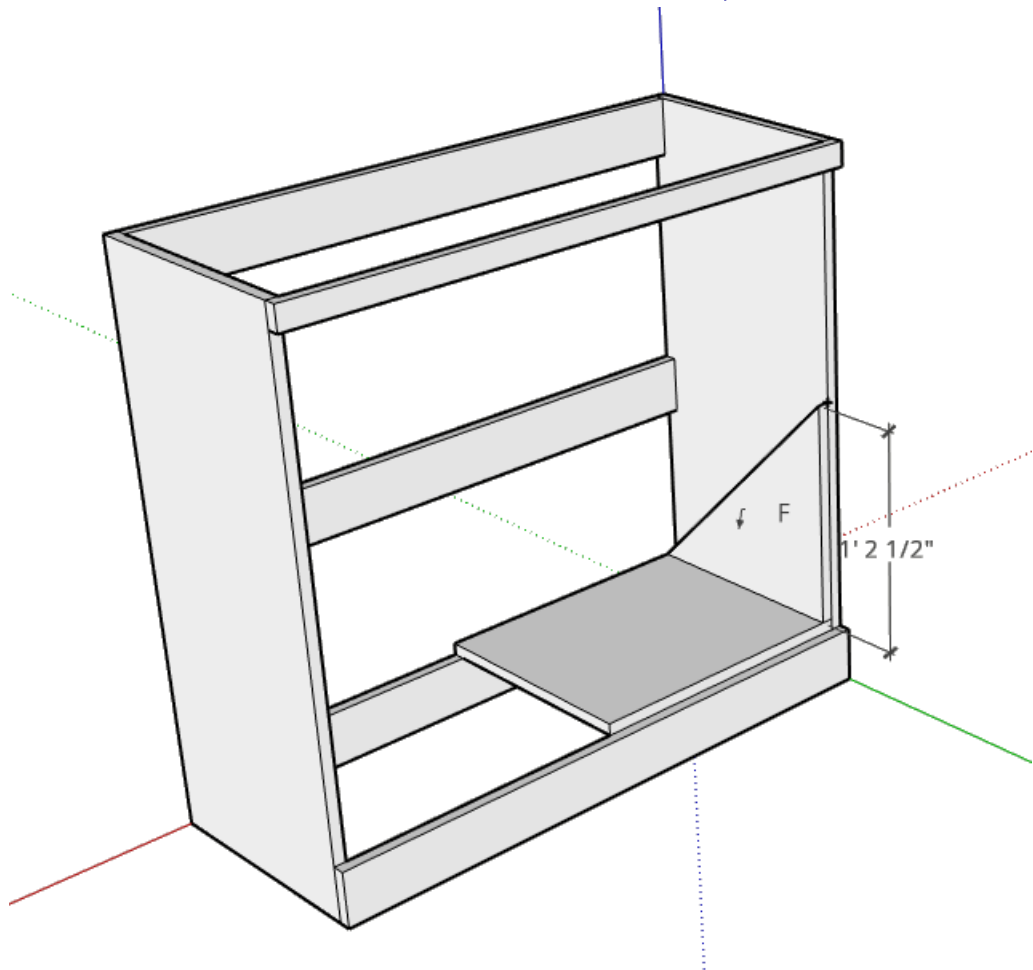
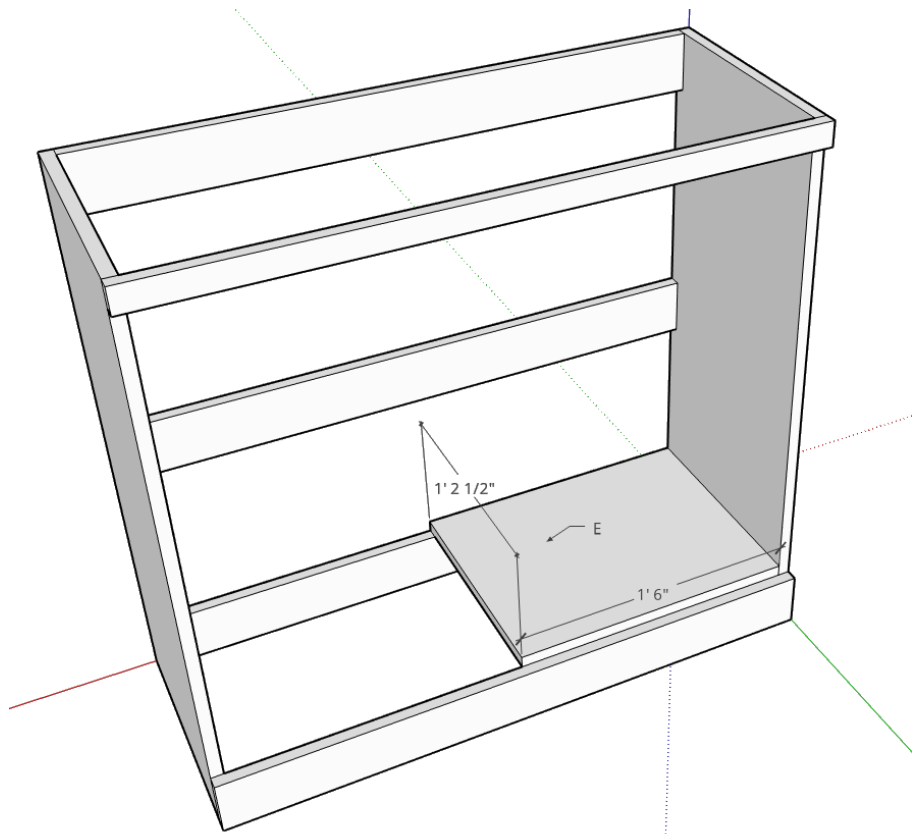


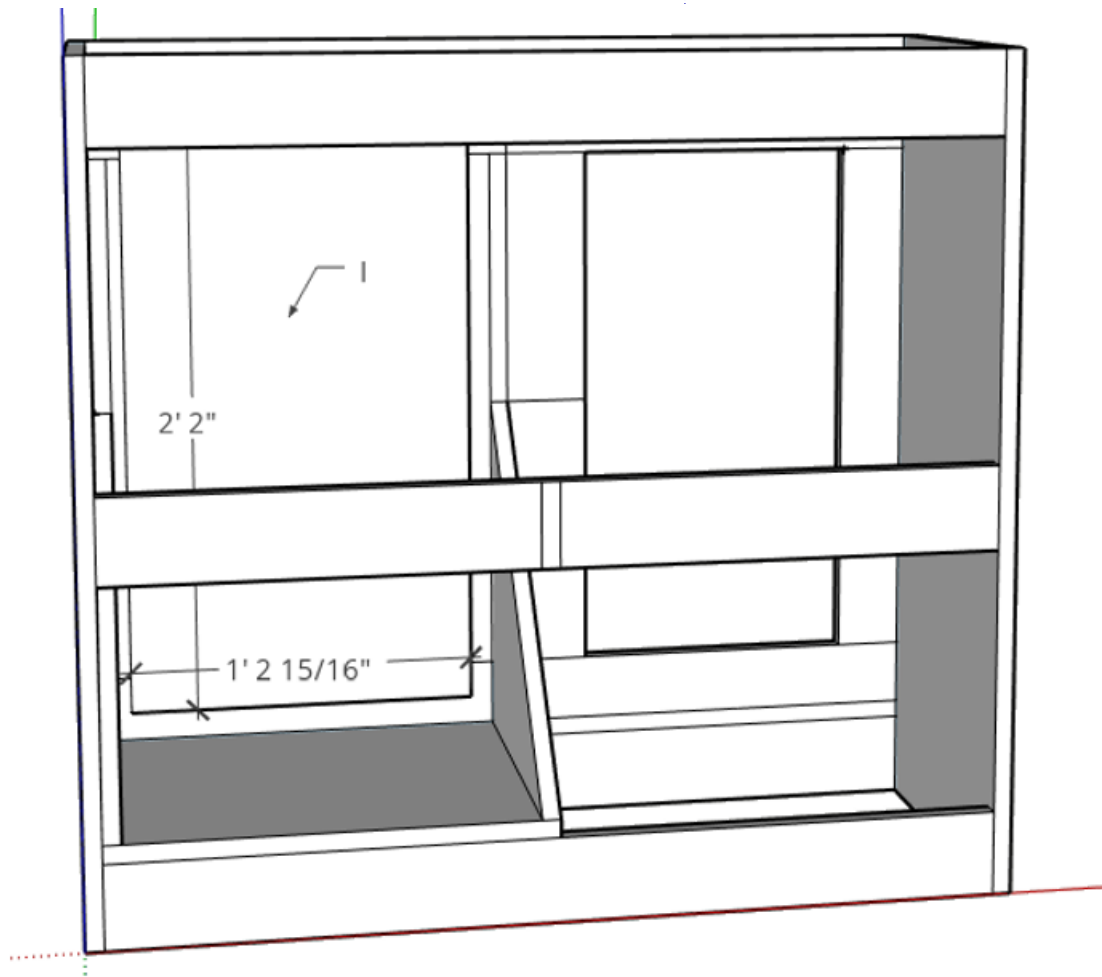
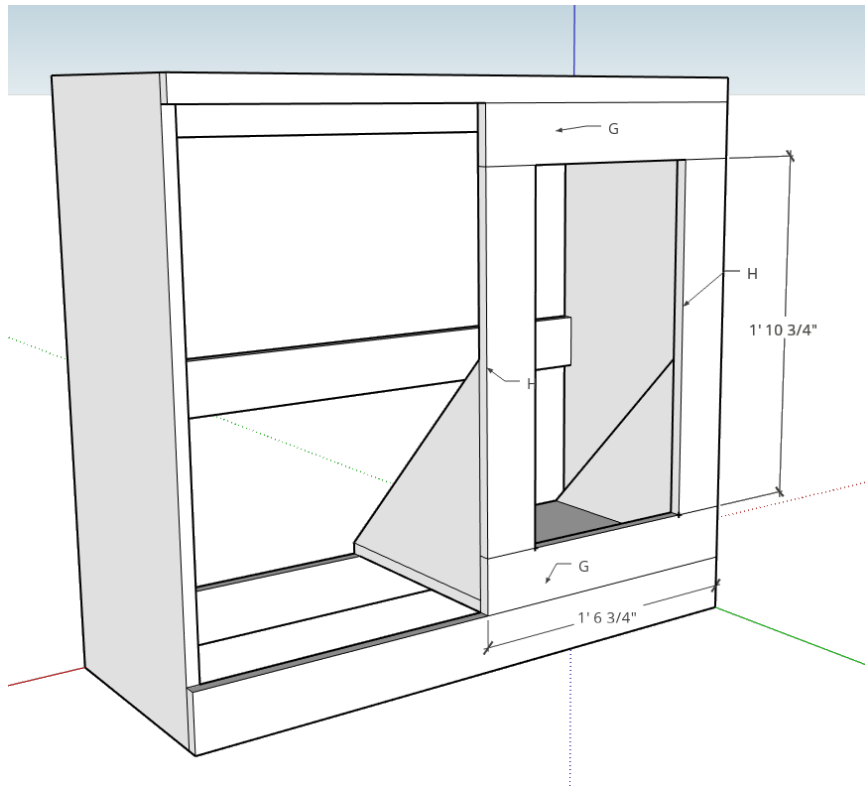
Step 2: Assemble the Garbage Holder

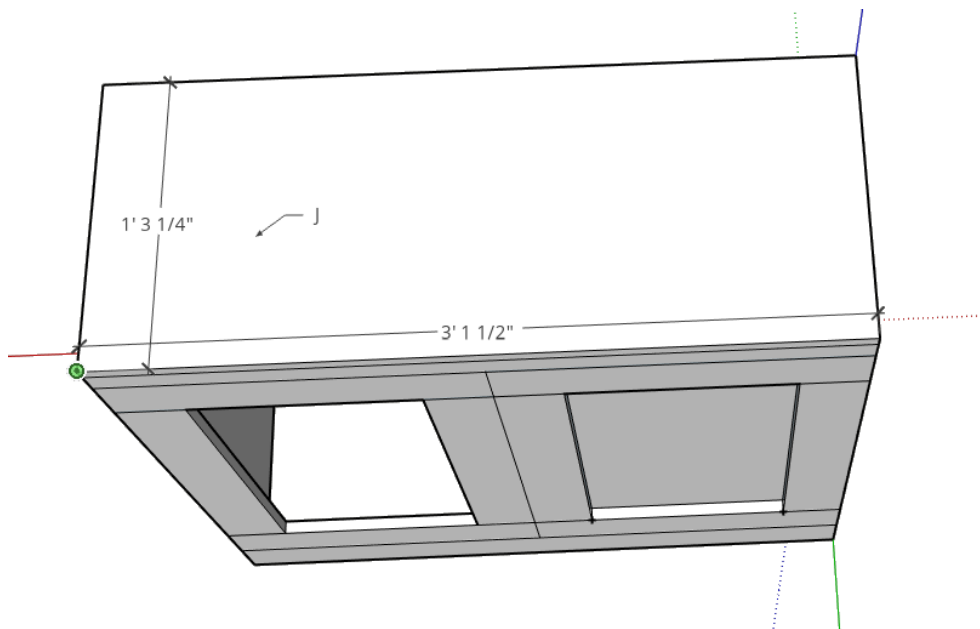
I used my kreg-jig (pocketholes) to assemble mine, but you can always screw through the sides and deal with the screw heads being visible if you don't have a kreg jig. Make sure everything is as square as possible or it doesn't come out looking quite right. Also, if you use MDF it **NEEDS** to be glued and screwed, or it has next to no strength. Screws alone will pull out. I finished it with a few coats of Zinsser I-2-3 Primer and then Sherwin Williams Duration Paint (I also love their Cashmere paint!)











Step 3: Finish the Top with Wood Flooring

I recently purchased some 1/2" maple flooring from lumber liquidators to use in project, so I used that to finished out the piece. I glued the flooring to the top of the MDF, and then trimmed with 1/4" x 3". I originally didn't want handles because I didn't like the look, but the holder got hard to open when the garbage inside was heavy, so I did add them after the fact.



Alternative Tops:

Painted MDF

If you want to stick with the original material list and keep this a cost-efficient project, you can just paint the MDF top like you did on the side. I found "finishing wax" helps make normal, interior house paint work for furniture projects, and I would recommend that before trying to use painted MDF as a

counter top area. It won't hold up like a true counter top will, so try to keep traffic lighter on the top (decorative instead of functional).

Plywood

Plywood can be stained and have a layer of polyurethane applied that will make the top more functional than painted MDF and will give you a more traditional butcher block top. You can either make the base out of MDF and do a plywood top or make the whole thing out of plywood. You will need to finish the edges of plywood. The easiest method is to pick up some either 1/4", 1/2" or 1"x3" (or thinner if you like that look) boards and nail them around the edges. I used 1/4" x 3" to finish the maple flooring top I did.

Boards

The top is 15.25", so you can use 1x6s as the top, which gives it an 3/4" overhang. This will be the hardest method to have a perfectly flat top, as most 1xs will have some degree of warping. If stained, it will come out similarly to the end table I created (post coming soon!)



Check out more fun projects at crazychickdiy.com, or follow us on Facebook at [CrazyChickDIY](#)